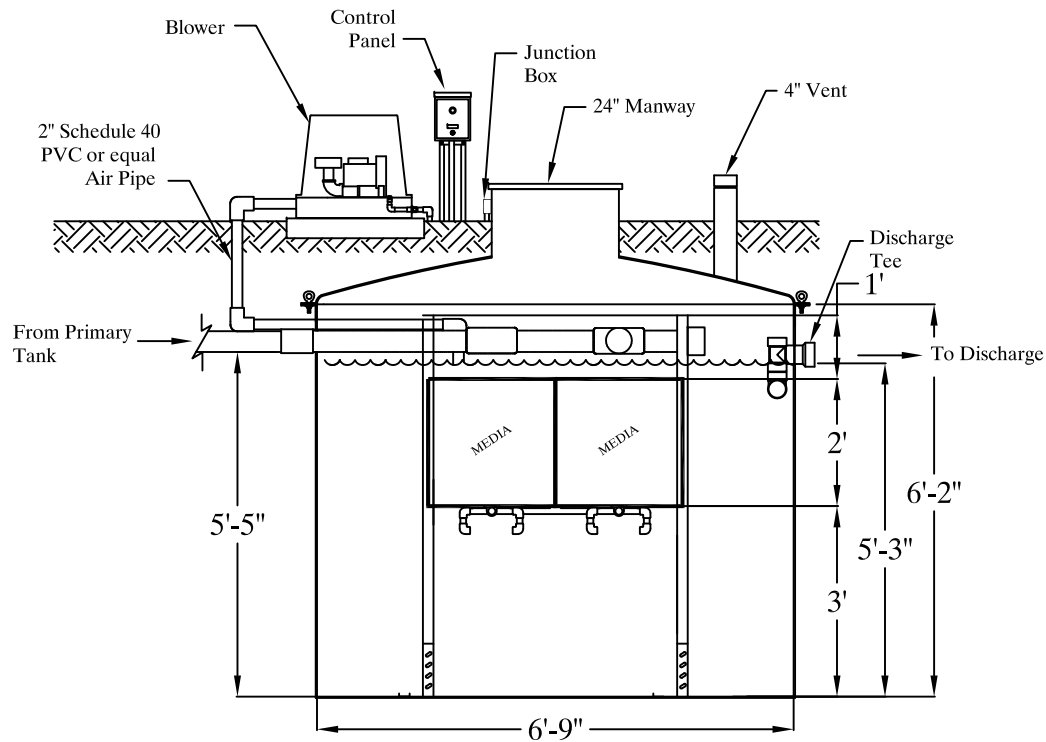
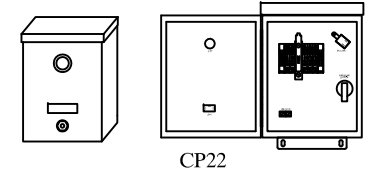


Regenerative Series Compressor



1000 GPD TREATMENT UNIT



Control Panel Views

Electrical Requirements	
Motor Full Load Amps	7.1
Measured Operating Watts	475 Watts
Electrical Requirements	115 Volt Single Phase



E100 REACTOR IN TANK			
DWN BY: D.WRIGHT	DATE: 06/15/10	SCALE: N.T.S.	DWG. NO.: E100 REACTOR IN TANK