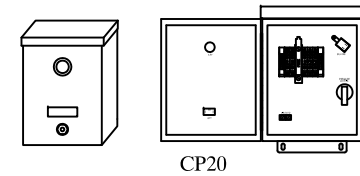
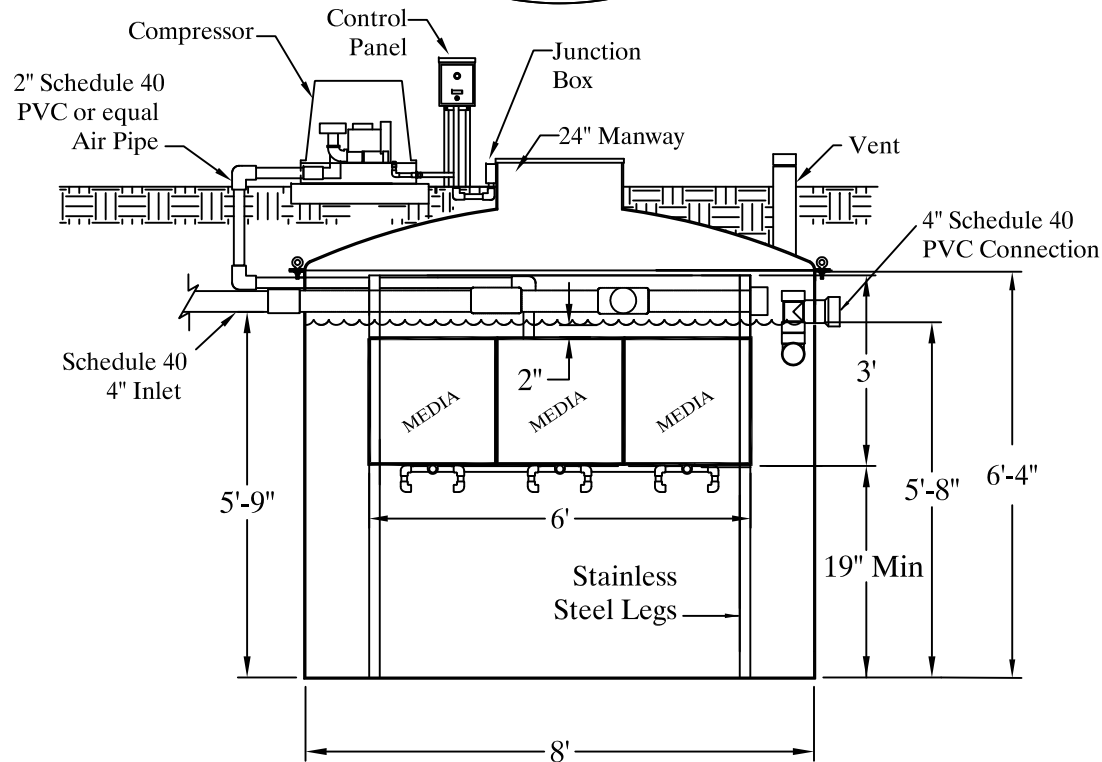


Regenerative Series Compressor



Control Panel Views

| Minimums | |
|--------------------------------|--------------|
| Discharge From Tank | 5'-8" |
| Reactor Volume | 2130 Gallons |
| Minimum Distance Under Reactor | 19" |



DELTA ENVIRONMENTAL PRODUCTS
P. O. BOX 969 DENHAM SPRINGS, LA 70727

E150 REACTOR IN TANK

DWN BY:
D.WRIGHT

DATE:
06/15/10

SCALE:
N.T.S.

DWG. NO.:
E150 REACTOR IN TANK