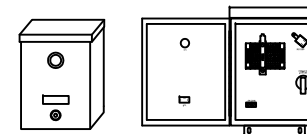
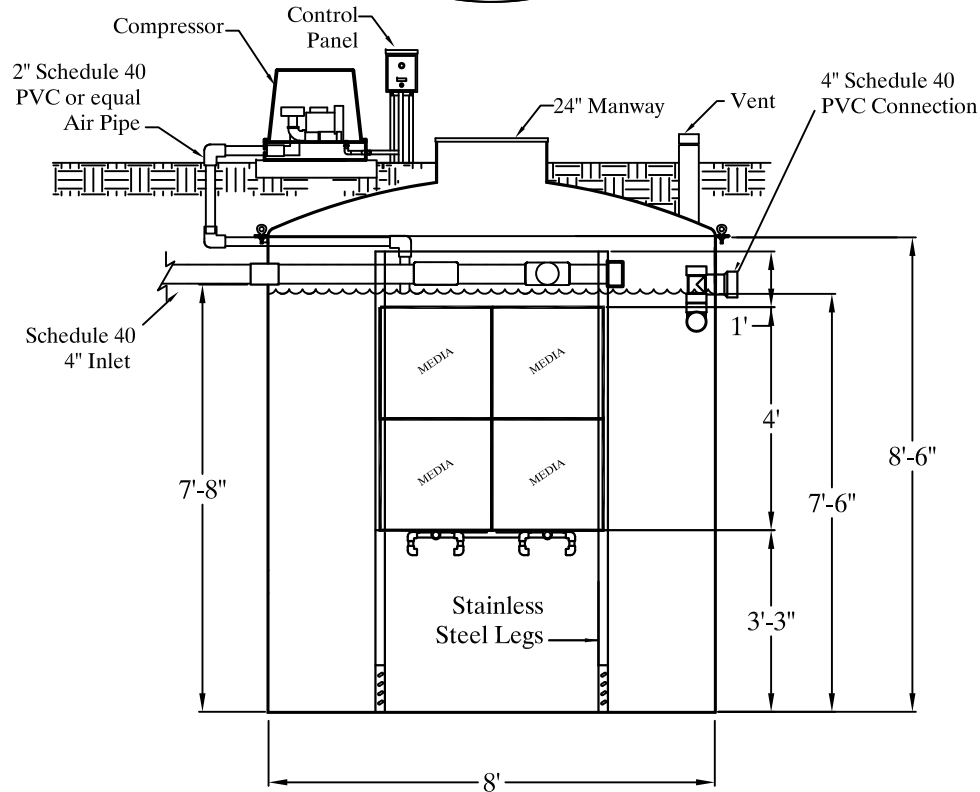


Regenerative Series Compressor



CP22

Control Panel Views

Electrical Requirements	
Motor Full Load Amps	7.1
Measured Operating Watts	475 Watts
Electrical Requirements	115 Volt Single Phase



Delta Environmental™
Pentair Water

E200 REACTOR IN TANK

DWN BY:
D.WRIGHT

DATE:
06/15/10

SCALE:
N.T.S.

DWG. NO.:
E200 REACTOR IN TANK